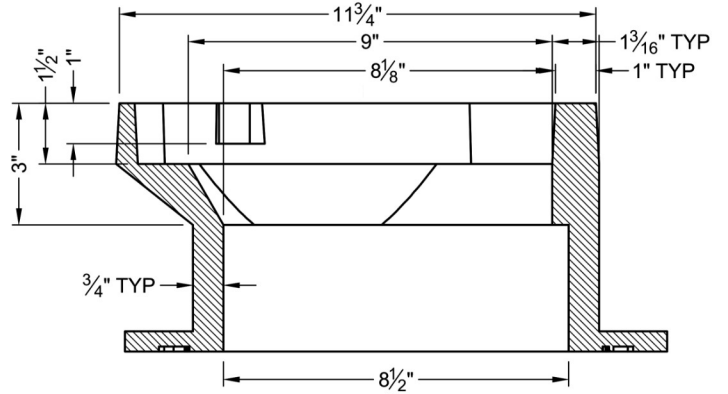
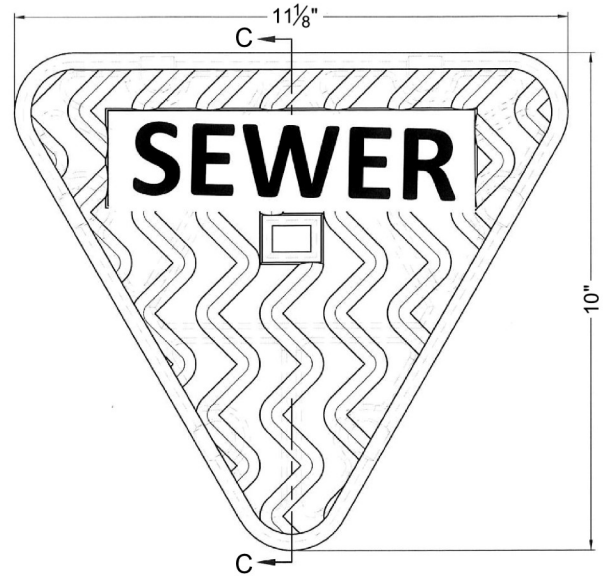
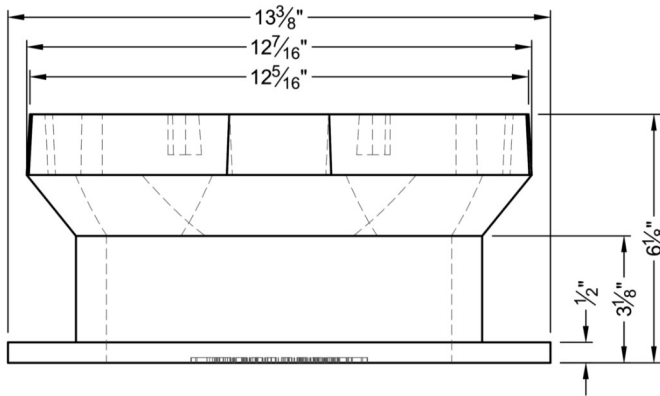


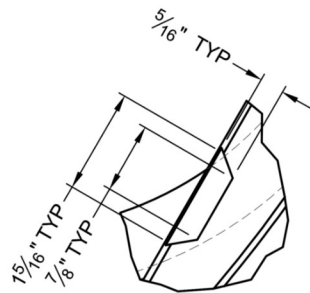
NOTE:  
FILLETS ARE NOT SHOWN FOR CLAIRITY  
SUPPLIER TO ADD FILLETS AS NEEDED



SECTION A-A



SECTION C-C



DETAIL B

FOR BUILDING SEWER CLEANOUTS IN PAVED AREAS, A  
TRAFFIC-RATED BOX AND CAST IRON LID  
MUST BE SET OVER THE SCREWED BRASS OR IRON CAP.

SCALE: NONE

ORIGINAL	
07/22/2020	LBH
REVISIONS	

SOUTH DAVIS SEWER DISTRICT

TRAFFIC-RATED BOX  
AND CAST IRON LID



SHEET:

104-2