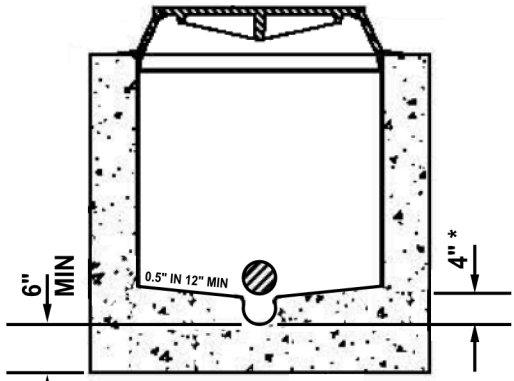
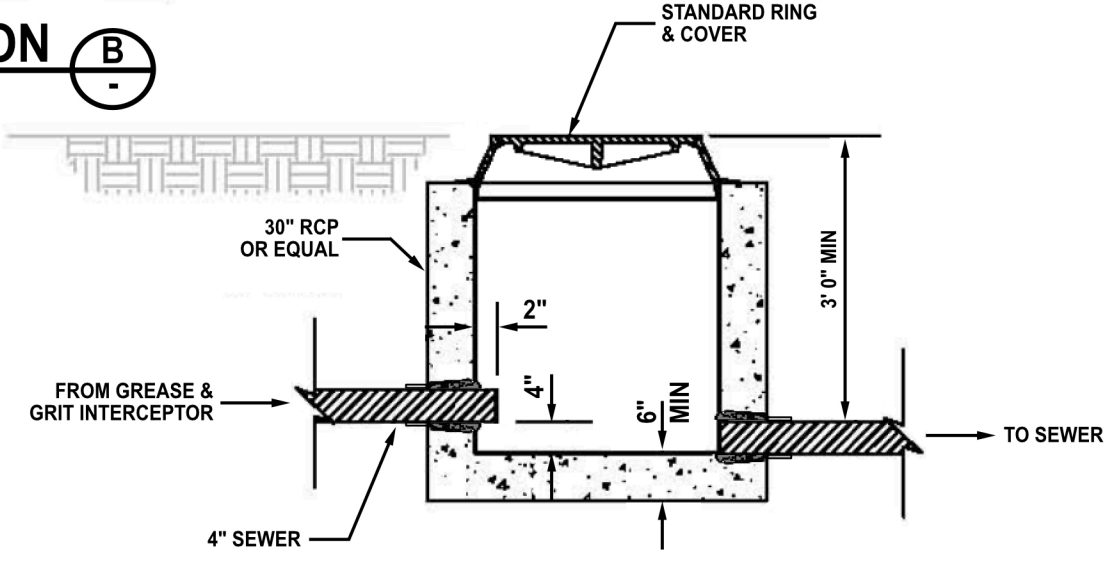


PLAN



SECTION B



SECTION A

*FLOWLINE OF INFLUENT PIPE TO FLOWLINE OF TROUGH

SCALE: NONE

ORIGINAL	
04/02/2019	LBH
REVISIONS	

SOUTH DAVIS SEWER DISTRICT

SAMPLE MANHOLE DETAIL



SHEET:

123-1